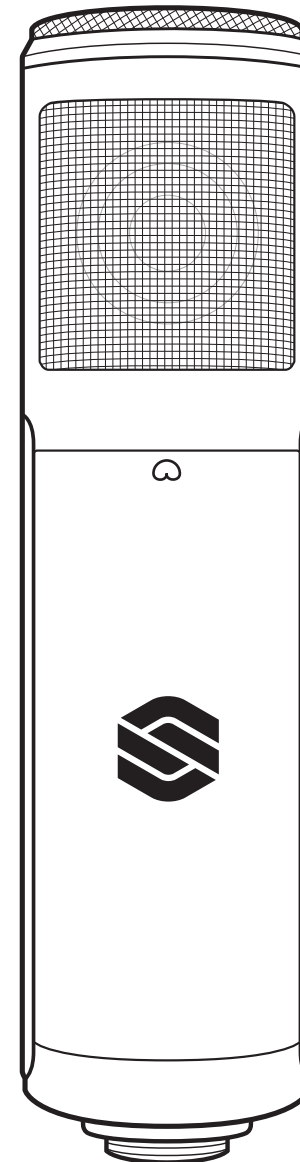


ST151 Large-Diaphragm Condenser Microphone

OWNER'S MANUAL
PRODUCT SPECIFICATION

Circuit Type	Class A FET
Polar Pattern	Cardioid
Frequency Response	20–20kHz
Maximum SPL	134dB
Sensitivity	30mV/Pa
Equivalent Noise Level A-Weighted	22dB SPL
Typical Load Impedance	>1000 Ω
Output Source Impedance	200 Ω Transformer Isolated
Power Supply	+48V Phantom Power Required
Microphone Dimensions	7.7" long, 1.9" max diameter
Microphone Weight	1.2 lbs.
Included Accessories	HM-2 Hard Mount

RECORDING TIPS: www.sterlingaudio.net


HAVE QUESTIONS?

**MISSING
OR
DAMAGED
PARTS?**

CALL
888-621-2154
TOLL FREE

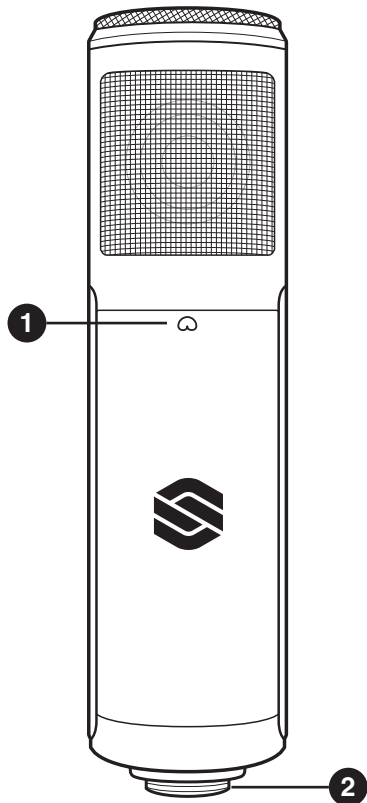
**HAVE
ASSEMBLY
QUESTIONS?**

OR VISIT OUR WEBSITE AT: STERLINGAUDIO.NET

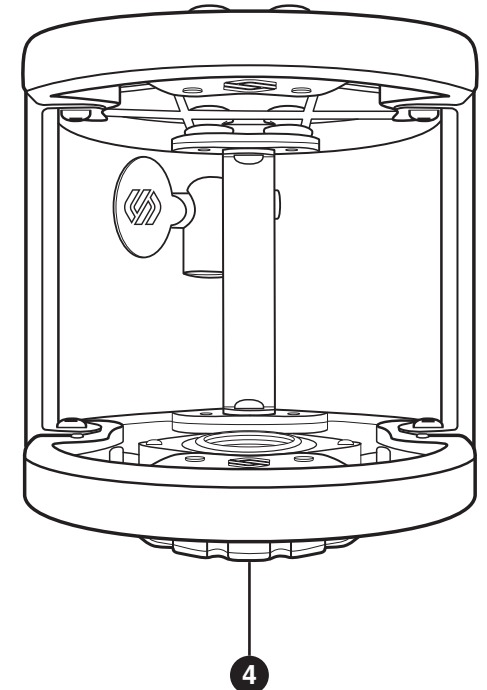
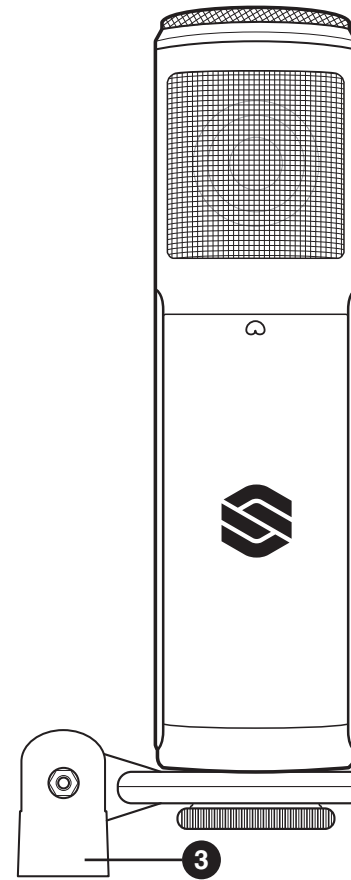
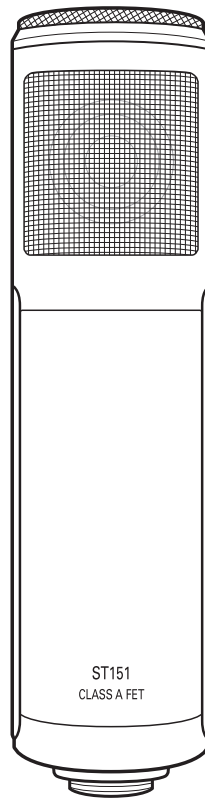
Sterling Audio

P.O. Box 5111
Thousand Oaks, CA 91359-5111

FRONT



BACK



- 1 Front-Address Cardioid**
Face logo side toward source.
- 2 Audio**
Connect standard mic cable.

Phantom Power (48v) Required

These mics require phantom power from your preamp, audio interface or mixer. Avoid pops: make cable connections first, THEN activate 48v.

- 3 HM2 Mic Mount**
Mic end threads into mount: secure mic by spinning dial at bottom of mount until it stops.
- 4 SM8 Shock Mount – Sold separately**
Isolates your Sterling large diaphragm mic from noise due to vibrations received through mic stands.